



Balloon Federation of America US National Championship, 2023

Longview, Texas

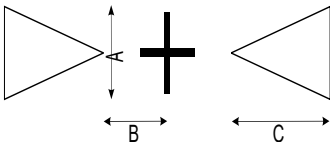
Task data sheet

Flight 2

Tasks #4, #5, #6, #7, #8

Launch area	Individual launch	Sunrise/Sunset	6:11	17-Jun
Launch period	6:11 to 7:30	Min. ILP → all goals	2km	
PZs in force	all active	Next briefing	5:45	
Solo flight	not required	QNH	1009	

Task	4	FIN	Fly In (Rule 15.4)	Task order	Any Order
			a. Position of set goal/target	3883/0228 (vicinity of 3802B)	
				MMA	Lesser 100m or Conf. of Fld
				Marker color	blue
				Marker drop	Free
				Loggermarker	1
Scoring period	8:00		2D/3D Scoring		
Scoring area	entire contest area				

Task	5	MDD	Minimum Distance Double Drop (Rule 15.15)	Task order	Any Order
			a. Description of scoring area(s)		
				See Sketch With Previous Task A: 30m approx (100') B: 15m C: 30m approx (100')	
				MMA	n/a
				Marker color	White
				Marker drop	Free
				Loggermarker	N/A
Scoring period	8:00		2D		
Scoring area	See Sketch: Triangles only, Paper is "IN"				

Task	6	XDD	Maximum Distance Double Drop (Rule 15.18)	Task order	Any Order
			a. Description of scoring area(s)		
				Distance between logger marks 2 and 5 Logger Mark #2 West of Grid Line 3800 Logger Mark #5, within 2k x 2k box, centered on gridline intersection coordinate declared in Logger GOAL # ONE Distance between Goal and Declaration Point: 5k min, no max Declared Goal: any gridline intersection on OR North of Gridline 8600 4x4 Coordinate	
				MMA	n/a
				Marker color	n/a
				Marker drop	n/a
				Loggermarker	2, 5
Scoring period	8:30		2D Scoring		
Scoring area	entire contest area				

Task	7	JDG	Judge Declared Goal (Rule 15.2)	Task order	In Order
			a. Position of set goal/target	3401 (3430/0107)	
				MMA	Lesser 75m or Conf. of Fld
				Marker color	yellow
				Marker drop	Gravity
				Loggermarker	3
Scoring period	8:30		2D/3D Scoring		
Scoring area	entire contest area				

Task	8	FON	Fly On (Rule 15.5)	Task order	In Order
			a. Method of declaration (also see Section II.12 and 12.3)	Logger Goal # TWO	
			b. Number of goals permitted	1	
			c. Goals available for declaration	Published List or 4x4 Coordinate with ALTITUDE. Minimum Altitude 500 MSL	
			d. Declaration point requirement	North of grid Line 0000. Minimum 500' Higher or lower than Goal altitude	
			e. Minimum and maximum distance between declaration point and declared goal(s)	2k min, no max	MMA N/A
			f. Minimum and maximum distances of declared goal(s) from any other targets noted on TDS.	1 k min, no max	Marker color N/A
Scoring period		8:30		3D Scoring	Marker drop N/A
Scoring area		Entire Contest Area			Loggermarker 4